

# Hand-Regulated Balance Regulating Valves

PN16/ 235PSI, PN25/ 350PSI

TALOR ductile iron flow balance valve adopts low-resistance Y-shaped structure, the shell is coated with epoxy resin. Flow measuring fittings on both ends feature good self-sealing performance and easy adjustment. The highly precise valve core and favorable sealing performance ensure measurement precision and persistence.



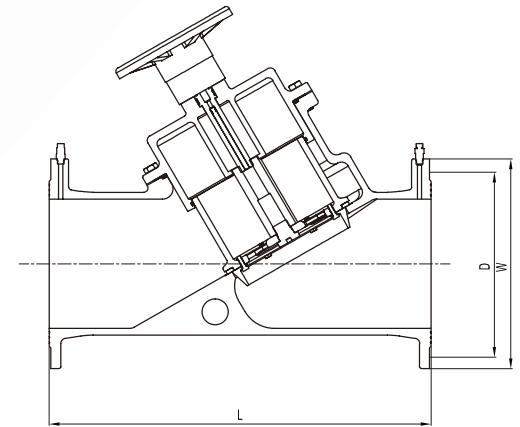
**F500-D**  
2½" - 20"

## Product Features

- High measurement precision.
- Linear ball valve installed in the front of the measuring point for maintenance
- Plug-in measuring point, allowing quick connection
- Compact Y-shaped structure, with full flow.
- Shut off and regulating functions.
- Regulating memory function.
- Precise digital setting and display.



**1125 ¼"**



## Technical Parameters

Pressure Ratings: PN16/PN25

Working Temperature: -10°C~130°C

Size: 2½" - 20" , DN65 mm-DN500 mm

End Type: ANSI or BSEN flanged

Medium: Water

\* Note: In valve installation, it is strongly required to reserve sufficient space for future main and install strainers before the valves to avoid foreign particles blocking to affect valve operations.

## Material Specifications

Body: Ductile Iron

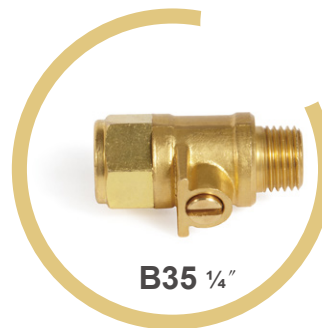
Bonnet: Ductile Iron

Valve Element: Stainless Steel

Measuring Port: Brass

Seat Seal: EPDM

Handwheel: Nylon



**B35 ¼"**

The linear brass ball valve with outside screw × inside screw is mounted in the front of the measuring point for ON/OFF or maintenance purpose.

## Dimensions/Weights

mm	65	80	100	125	150	200	250	300	350	400	450	500
In	2½	3	4	5	6	8	10	12	14	16	18	20
L	290	310	350	400	480	600	730	850	980	1100	1200	1250
W	185	200	220	250	285	340	405	460	520	580	640	715
D	145	160	180	210	240	295	355	410	470	525	585	650
Kvs	84.9	118	187.4	263.9	400.8	726.9	1087.8	1276.2	2250	3050	3720	4183
Lbs	33	43.0	62	82.7	115.8	218	322	441	662	917	1228	1336
kg	15	19.5	28	37.5	52.5	99	146	200	300	416	557	606